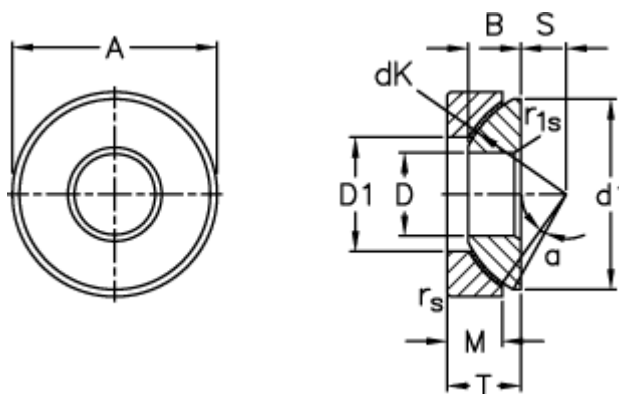


Article number: 03512015

Description: Fluro Rod end GE 15AW

## Measures



A	= 42 0 -0,011	rs, r1s min	= 0.6
B	= 11	S	= 10
D	= 15 0 -0,008	Static axial load C0 (kN)	= 210
d1 max	= 39	T	= 15 +0,25 -0,40
D1 min	= 22.5	Tilt angle	= 6
dK	= 46	Weight	= 108
Dynamic axial load C (kN)	= 105		
M	= 10.8		